

# Camshelving® Wine Rack & Cradle Kits

## Assembly Guide

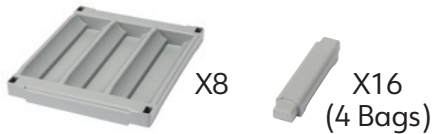
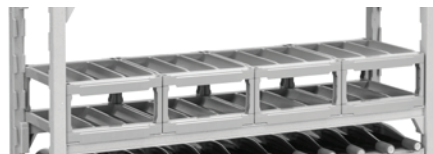
### KIT PARTS

#### Single Shelf Cradle Kits

##### 4-Cradle Single Stack Shelf Kit:



##### 8-Cradle Double Stack Shelf Kit:



##### 12-Cradle Triple Stack Shelf Kit:

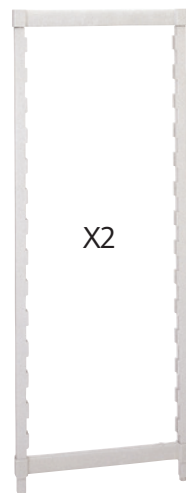


##### Single Cradle Add-On Kit:



**NSF**  
 COMPONENT  
 WINE CRADLES & CONNECTORS  
 NOT INCLUDED

### WINE RACK PARTS

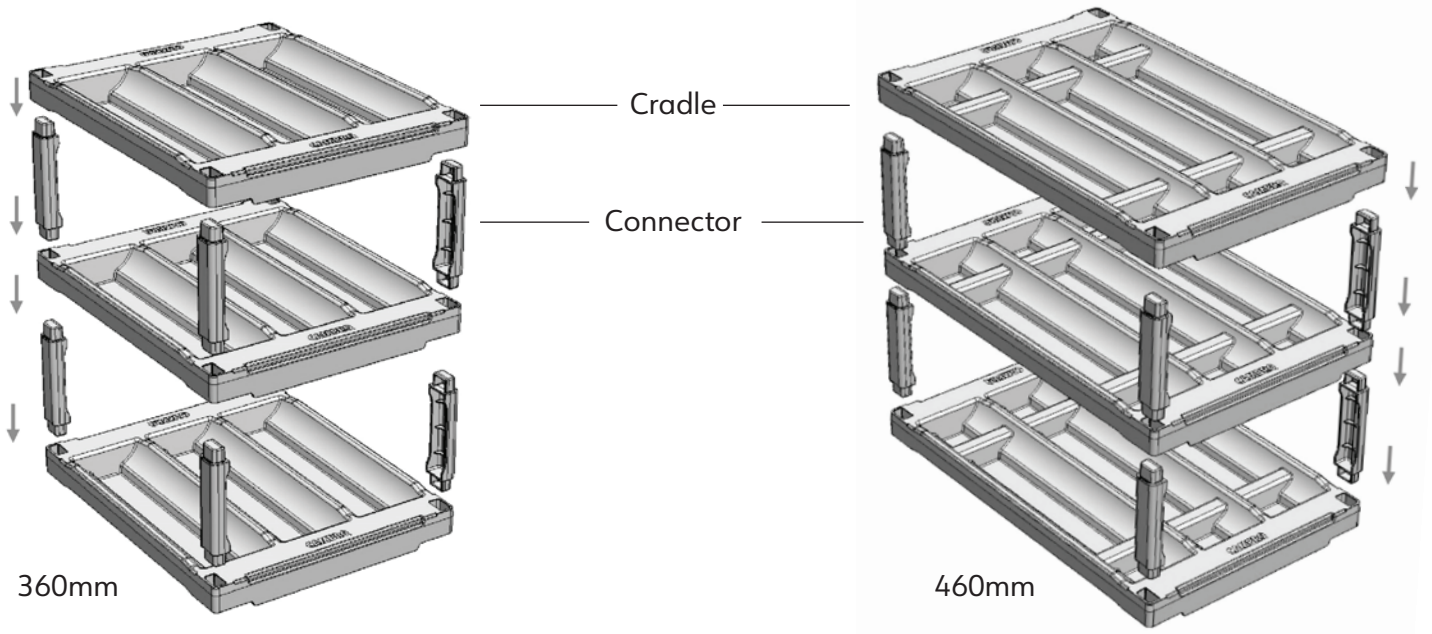


Scan for  
 assembly  
 instructions.

# CAMBRO®

www.cambro.com

## Cradle Assembly (Maximum Stack: 3)

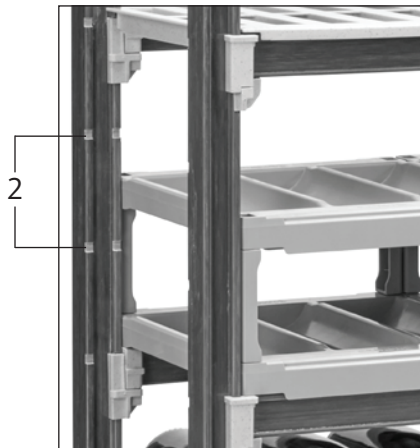


## Vertical Shelf Space Requirements (Open Dovetail/Notches Between Installed Traverses)

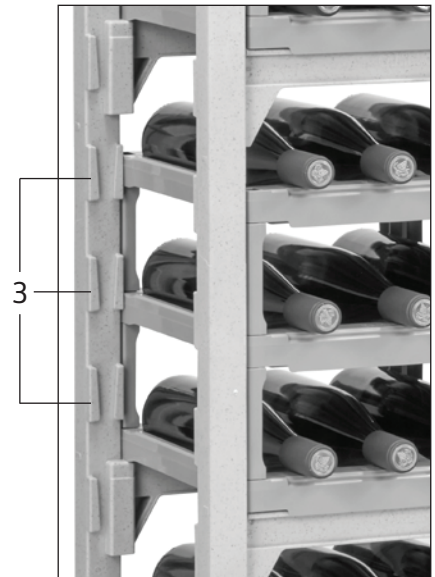
### Single Stack One Open Dovetails/Notches



### Double Stack Two Open Dovetails/Notches



### Triple Stack Three Open Dovetails/Notches



**CAMBRO**

www.cambro.com

CAMBRO U.S.A.  
TEL: 1(714) 848-1555  
FAX: 1(714) 230-4375

CAMBRO EUROPEAN LOGISTICS  
TEL: (49) 7022 90 100 0  
FAX: (49) 7022 90 100 19  
cambroeuropa@cambro.com

CAMBRO UK  
TEL: 0800 587 0057 Toll Free  
FAX: 0845 280 3411  
cambrouk@cambro.com

勤宝制造(惠州)有限公司  
电话: +86-0752-2885018  
传真: +86-0752-2885038  
cambrochina@cambro.com

UMWINERACK