

Camshelving® Universal Storage Rack

Assembly & Installation Guide

Instructions
available in
multiple
languages



KIT PARTS

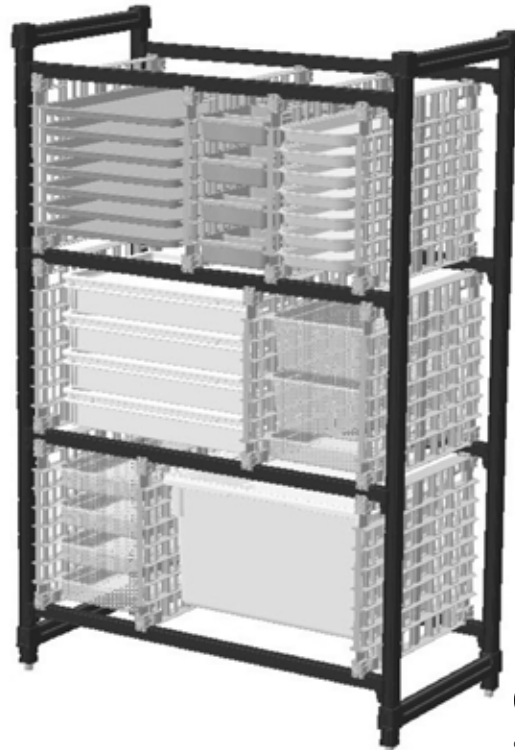
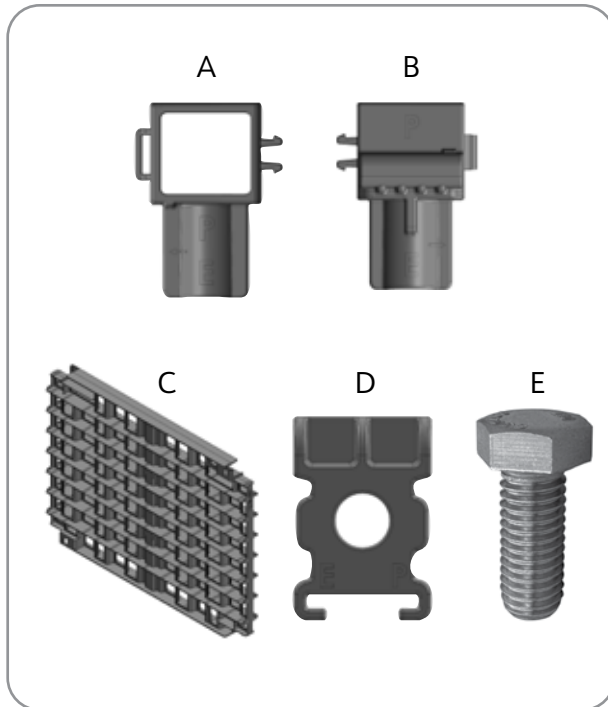
Starter Kit:

- 2 Rail Panels (C)
- 16 Rail Panel Brackets – 8 (A), 8 (B)
- 8 Traverse Brackets (D)
- 8 Metal Hex Head Bolts (E)

Add-On Kit:

- 1 Rail Panel (C)
- 8 Rail Panel Brackets – 4 (A), 4 (B)
- 4 Traverse Brackets (D)
- 4 Metal Hex Head Bolts (E)

TOOLS NEEDED



CAMBRO®

TRUSTED FOR GENERATIONS™

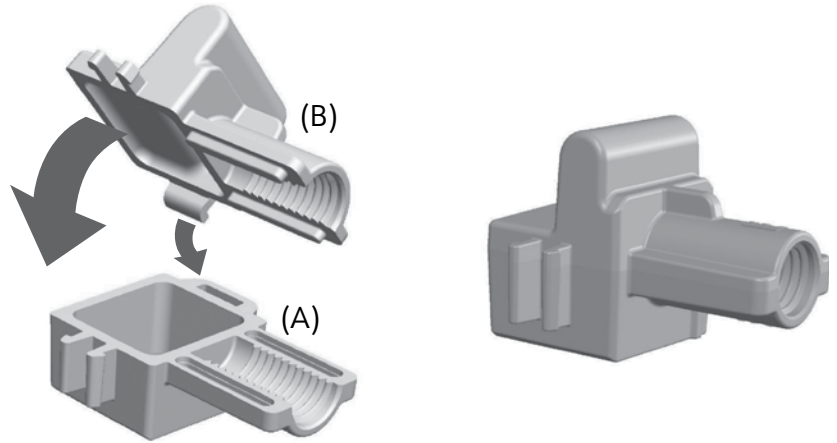
www.cambro.com

INSTALLATION REQUIREMENTS

- 4 open dovetails between shelves
- NO shelf plates on traverses
- Open space between back of unit and wall: 3" - 5" (7,6 - 12,7 cm)

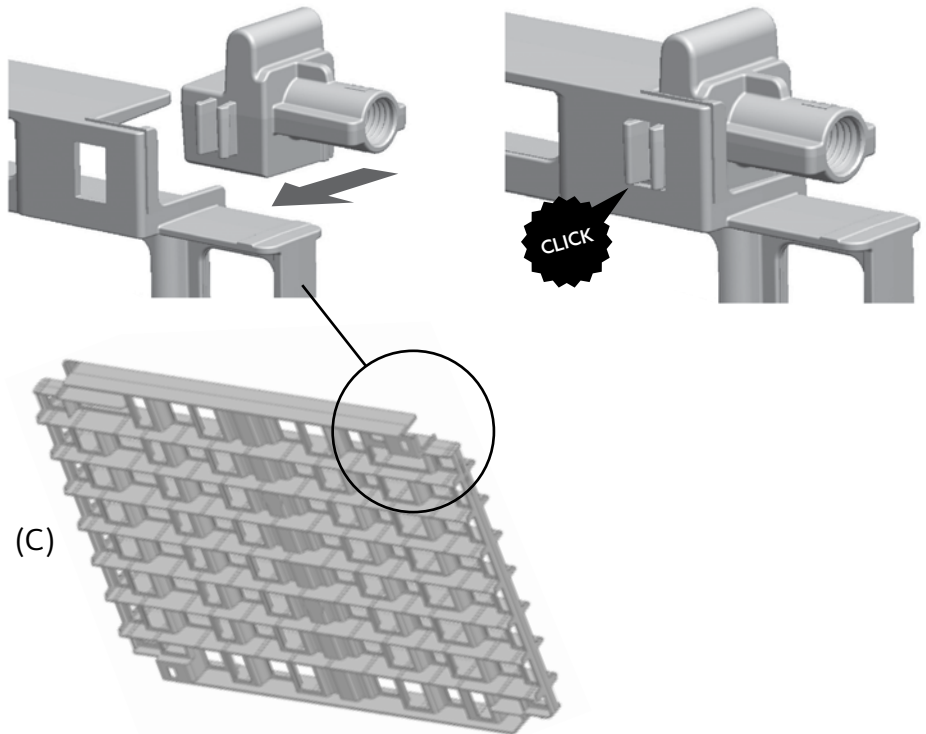
Step 1

Assemble 1 Rail Panel Bracket set.
(A and B)



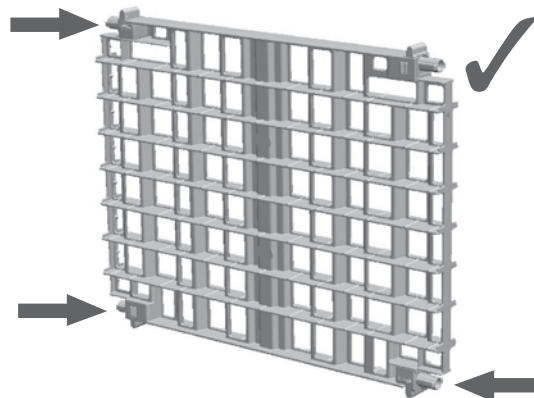
Step 2

Snap Rail Panel Bracket set
into Rail Panel (C) Corner.



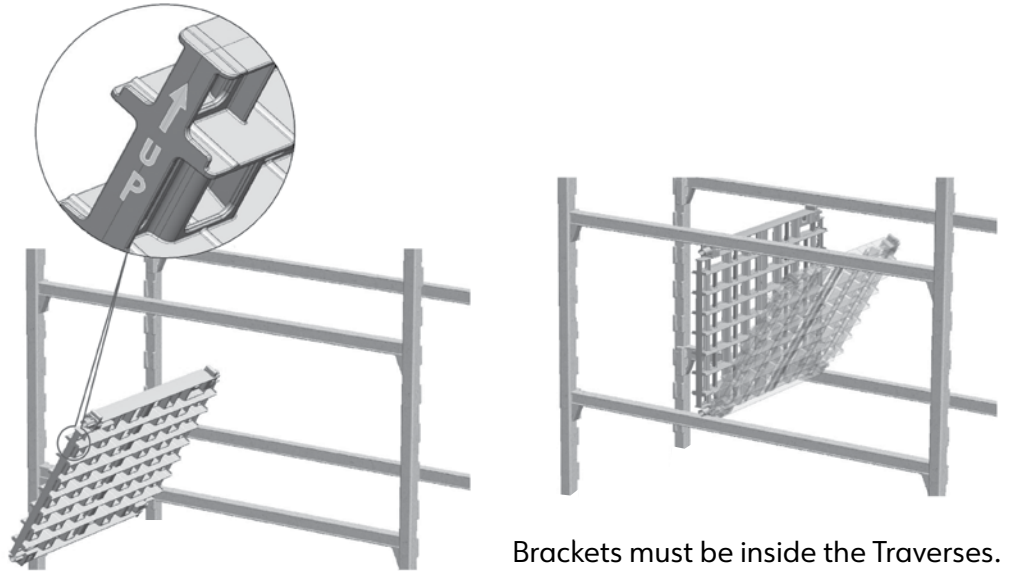
Step 3

Repeat Steps 1 & 2
for remaining 3
corners of Rail Panel.



Step 4

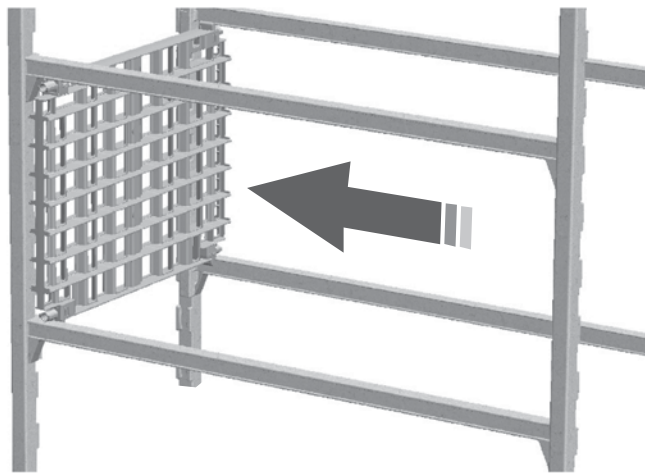
Place Rail Panel, **pointing up**, between Traverses.



Step 5

Slide Rail Panel to one side/end.

Note: When installing on Elements® Series shelving, the panels closest to the posts will have a tighter fit. Preview the assembly video (see page 1) before starting the panel installation.



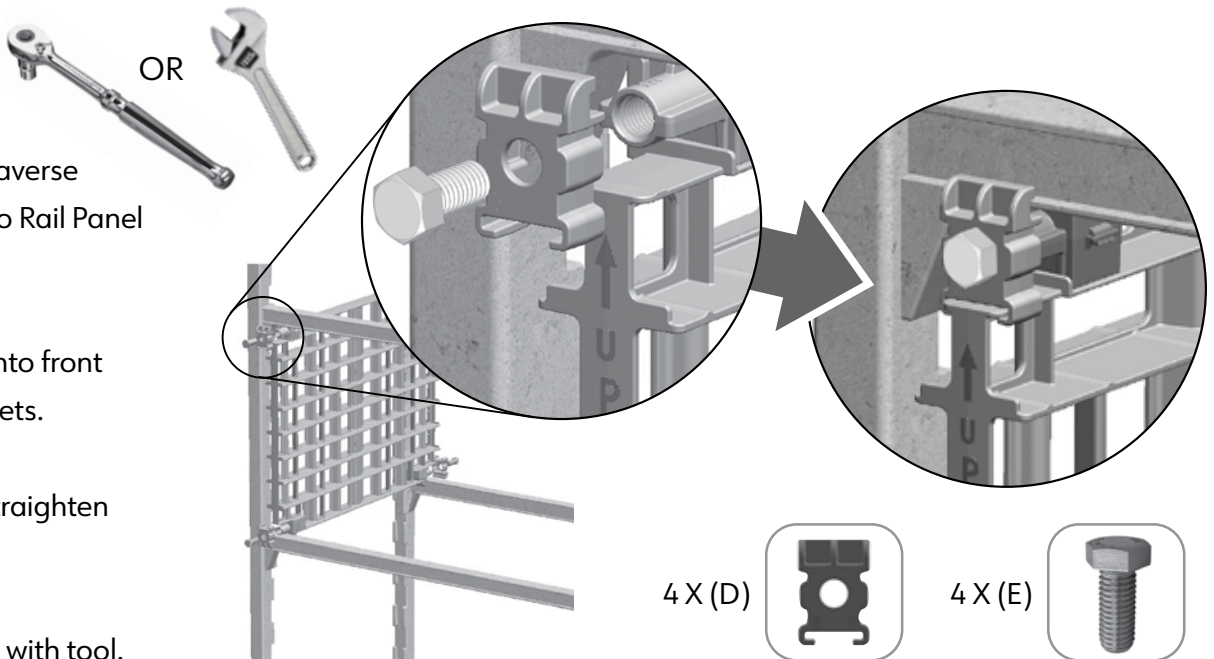
Step 6

1. Slide each Traverse Bracket (D) onto Rail Panel and Traverse.

2. Install Bolts into front and back Brackets.

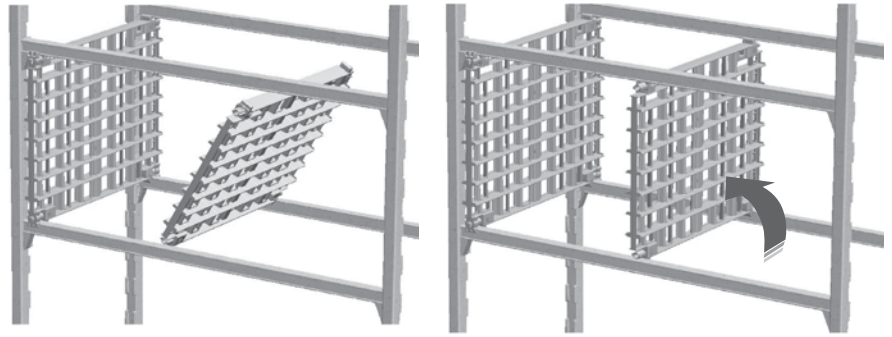
3. Adjust and straighten Rail Panel.

4. Tighten Bolts with tool.

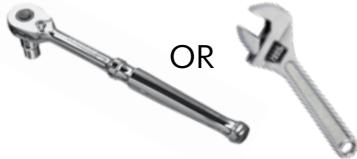


Step 7

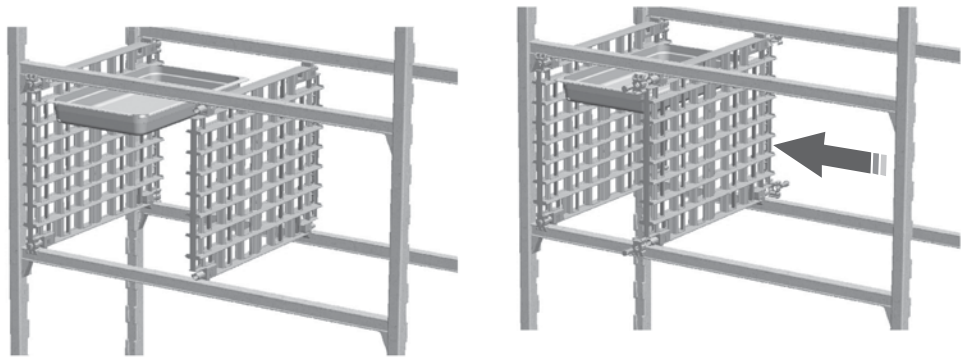
1. Prepare next Rail Panel (Steps 1-3).
2. Install on Shelf Traverses (Steps 4 & 6).
3. Tighten Bolts just enough to hold the rail panel upright on Traverses.



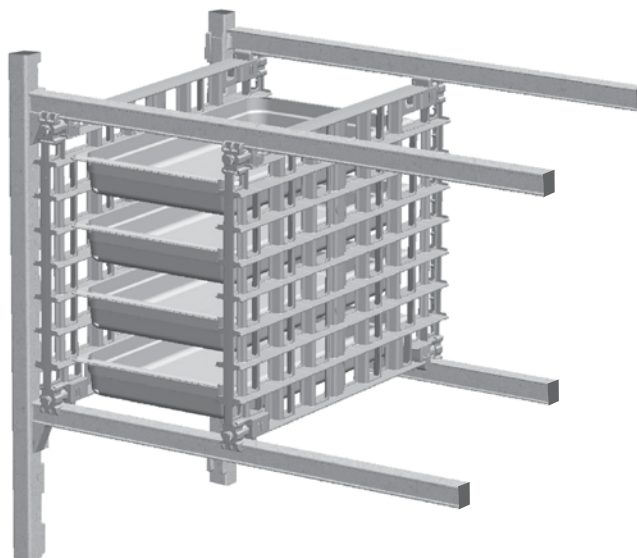
Step 8



1. Test fit with storage item placed **on top rails first**.
2. Tighten top Bolts with tool.
3. Test fit with same storage item on bottom rails and adjust as needed.
4. Tighten all Bolts with tool.



TIP: Inserting a tray, or pan, as illustrated, will more accurately determine the distance needed between Rail Panels.



CAMBRO
TRUSTED FOR GENERATIONS™

www.cambro.com

CAMBRO U.S.A.
TEL: 1(714) 848-1555
FAX: 1(714) 230-4375
international@cambro.com

CAMBRO EUROPEAN LOGISTICS
TEL: (49) 7022 90 100 0
FAX: (49) 7022 90 100 19
cambroeuropa@cambro.com

勤宝制造(惠州)有限公司
电话: +86-0752-2885018
传真: +86-0752-28850380
cambrochina@cambro.com

CAMBRO IRELAND
TEL: 1800 509 046 Toll Free
FAX: 01 633 55 76
cambroireland@cambro.com

UMUNVR
REV A

© Copyright Cambro Manufacturing Company. Printed in the U.S.A. 11/22

D052201